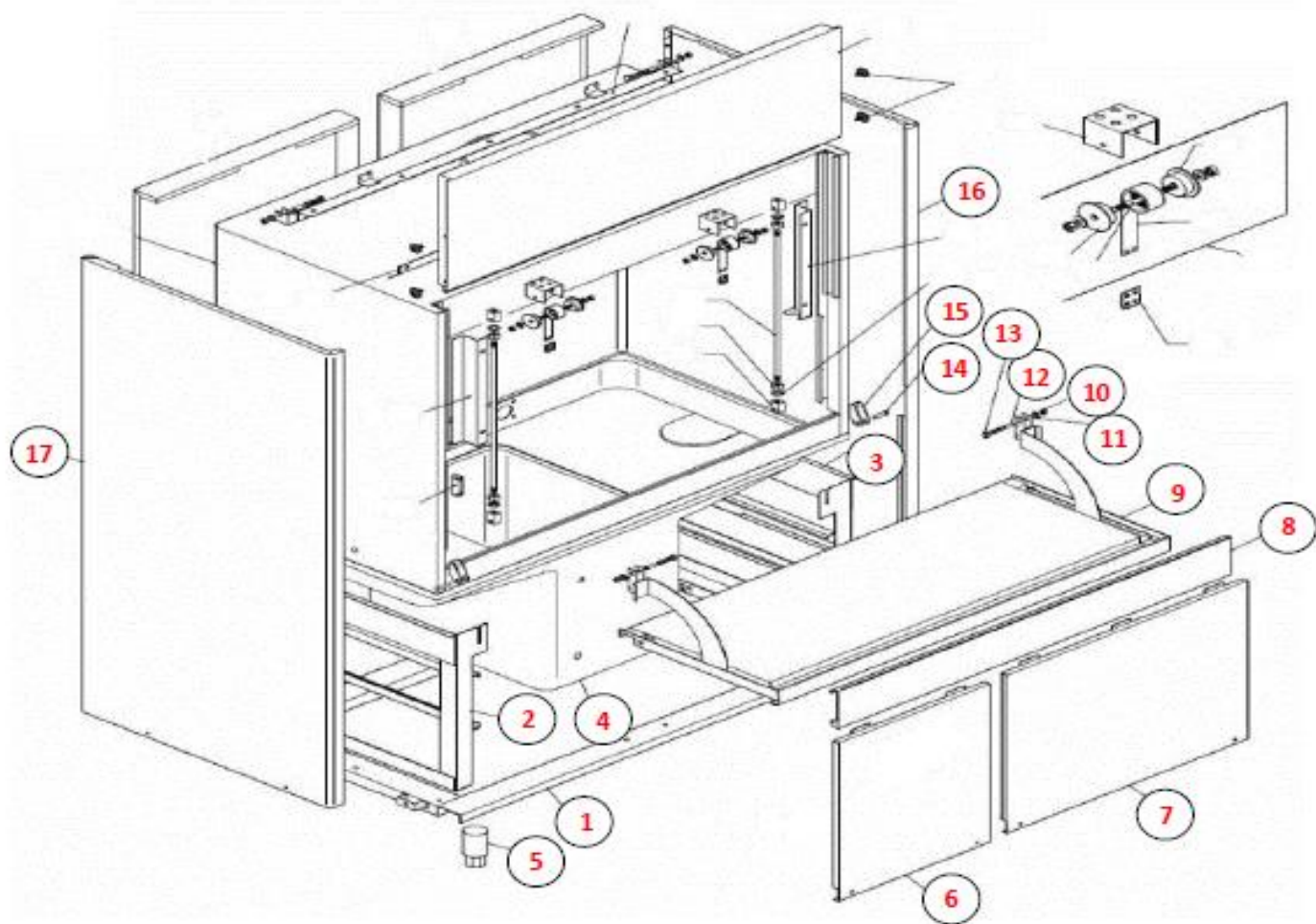


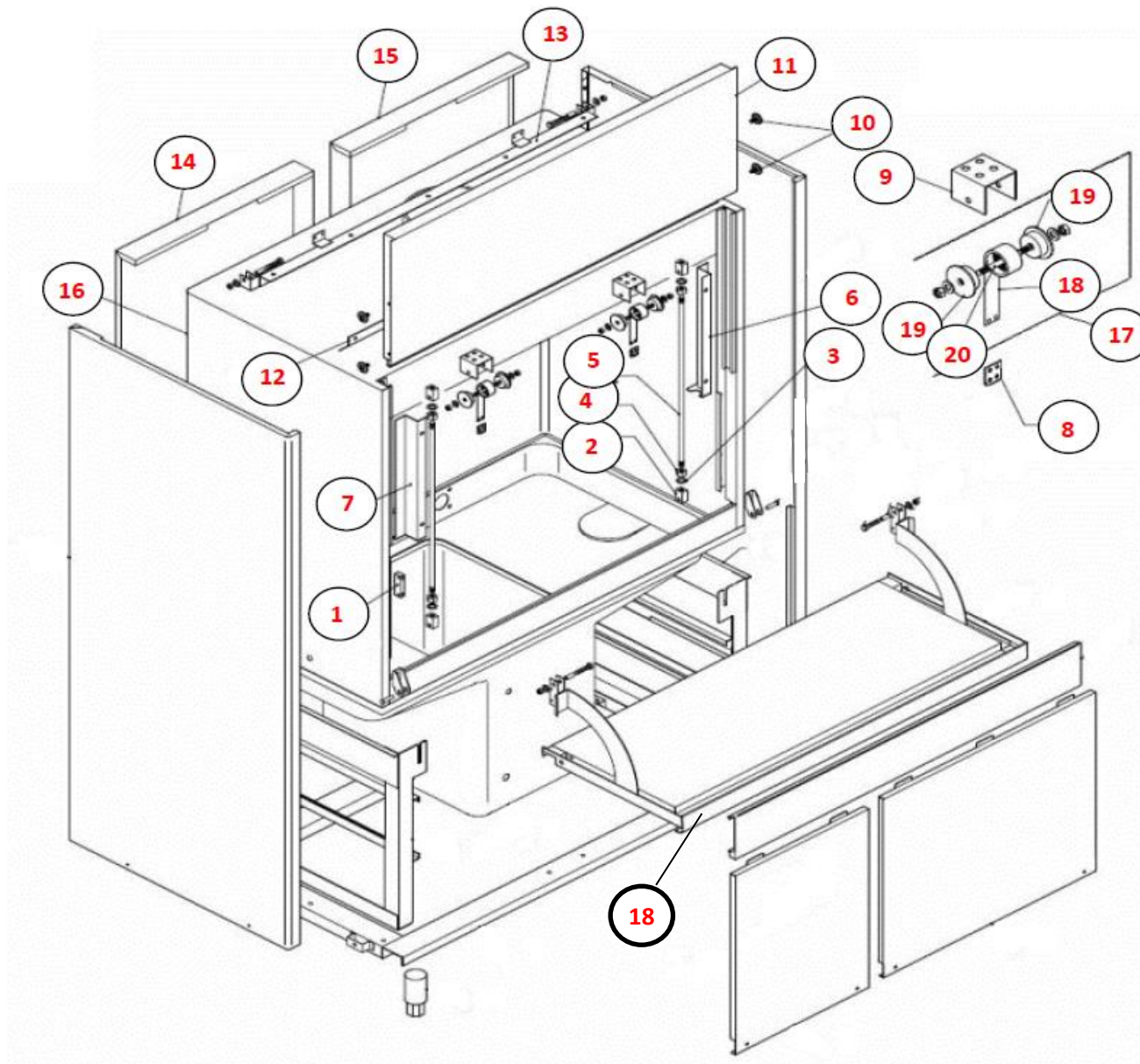
POS	CODE	DESCRIPTION	DESCRIPTION	QTA
1	P1 (4)	PANNELLERIA	FRAME	1
2	P1 (5)	PANNELLERIA	FRAME	1
3	P2 (2)	RISCIACQUO	RINSE	1
4	P3 (4)	LAVAGGIO	WASH	1
5	P3 (5)	LAVAGGIO	WASH	1
6	P4 (3)	GIRANTI	ARMS	1
7	P5 (2)	CABLAGGIO	WIRING	1
8	P6	DOSATORE	CHEMICAL PUMP	1
9	O2 (2)	HY-NRG	HY-NRG	1
10	O4 (2)	POMPA SCARICO	DRAIN PUMP	1



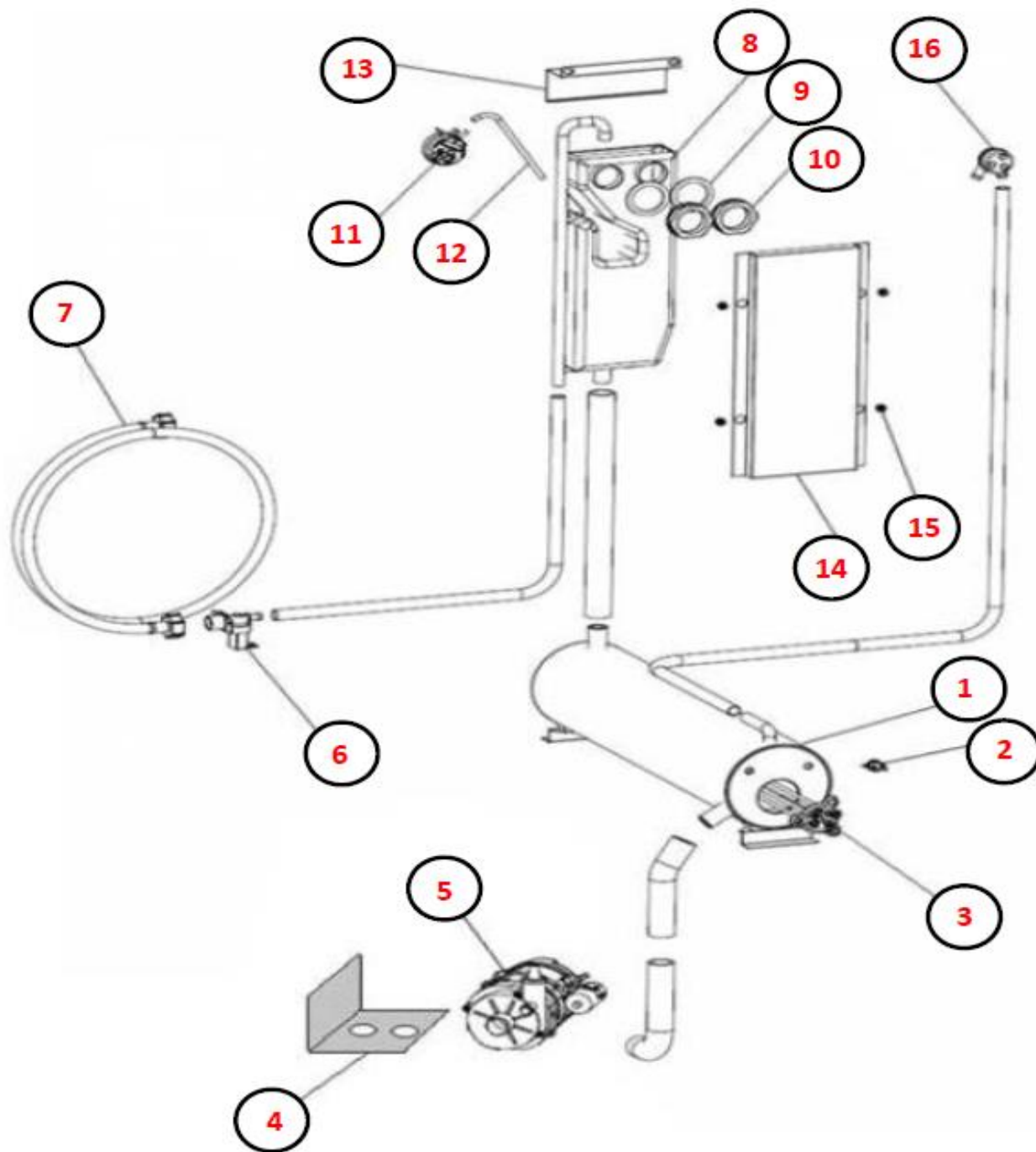




POS	CODE	DESCRIZIONE	DESCRIPTION	NR
1	903651	MAGNETE + CUSTODIA FRONTALI	MAGNET + CONTAINER DISHWASHER	1
2	TR0931	BLOCCHETTO TIRANTE PORTA LPN	TIE-ROD DOOR BLOCK LPN	2
3	905941	RONDELLA Ø10 G.	WASHER Ø10 G.	1
4	902022	DADO 10	NUT 10	2
5	TR0943	TIRANTE PORTA LP67/LP109 H=850MM	DOOR TIE-ROD LP67/LP109 H=850MM	2
6	TR2219	PARASPRUZZI DX LP67-109 H=850MM COMPL.	SPLASHBACKS RH LP67-109 H=850MM COMPLETE	1
7	TR2181	PARASPRUZZI SX LP67-109 H=850MM COMPL.	SPLASHBACKS LH LP67-109 H=850MM COMPL.	1
8	TR0616	PIASTRINA GIUNZIONE MOLLA LP	CONNECTOR PLATE FOR SPRING LP	2
9	TR2008	SQUAD. FISS. GUIDE TRAINO 2011	FASTENING BRACKET FOR GUIDES RACK CONVEYOR 2011	2
10	908704	CUSCINETTO CON PERNO N1000/N1300/LP	BEARING WITH PIVOT N1000/N1300/LP	4
11	TR2246	PORTA SUP. LP109 H-850MM	UPPER PANEL LP109 H-850MM	1
12	TR3375	TEGOLINO LP109 STAMPATA	MOULDED COVER LP109	1
13	TR3376	TRAV. SUPP. MOLLE LP109 COMPL.	UPPER SPRING BAR LP109 COMPL.	1
14	TR2244	PANN. POST. SX LP109 H=850MM	LH BACK PANEL LP109 H=850MM	1
15	TR2245	PANN. POST. DX LP109H =850MMM	RH BACK PANEL LP109 H=850MM	1
16	TR1405	CAPPOTTA LP109B H850 COMPL	HOOD LP109B H850 COMPL	1
17	TR1863	SUPP. CON MOLLA PORTA LP109 COMPL.	DOOR SPRING SUPPORT DOOR LP109 COMPLETE	2
18	906215	MANIGLIA ALLUMINIO SATINATA PORTA 2019 315mm	HANDLE ALUMINIUM SATINATED DOOR 2019 315mm	1



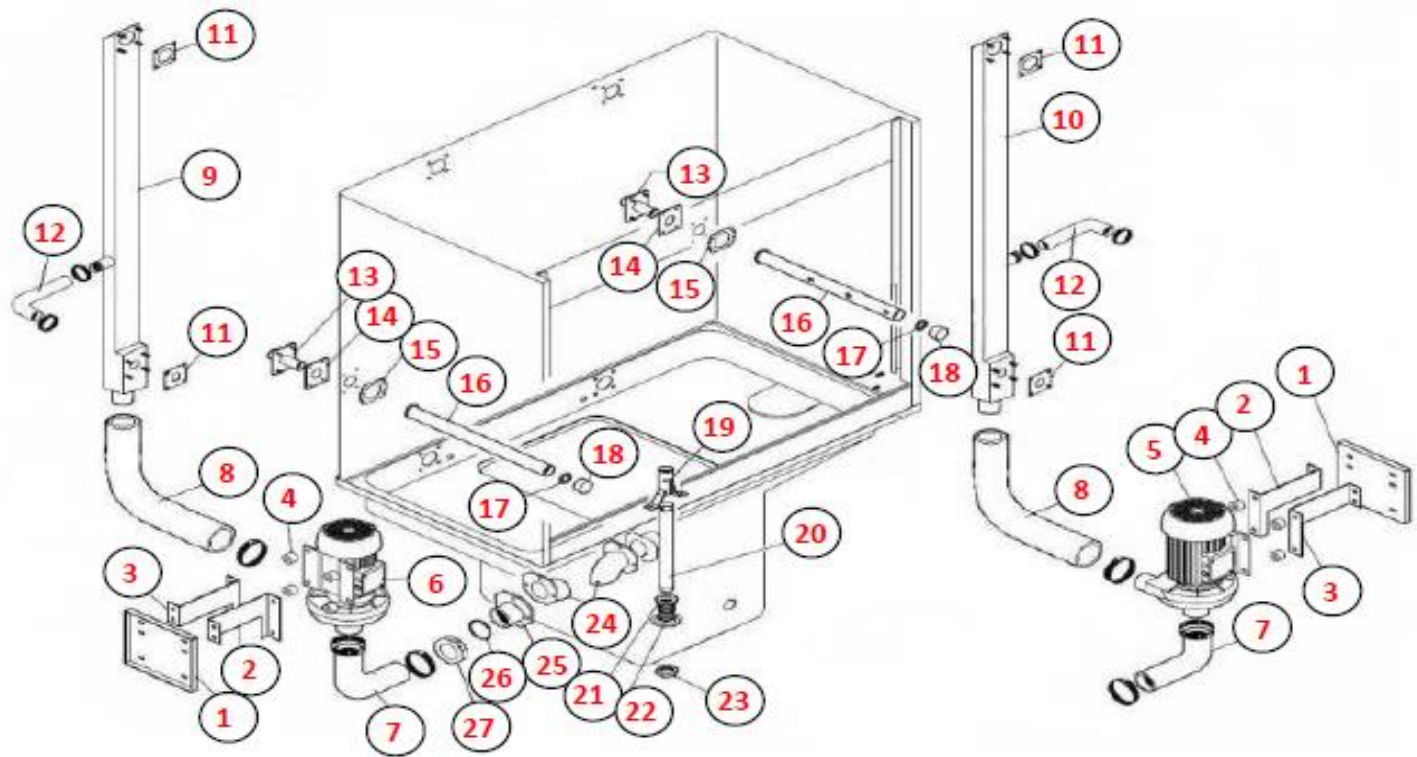
POS	CODE	DESCRIZIONE	DESCRIPTION	NR
1	TR1145	BOILER LP67B-LP109B CON SFIATO	BOILER LP67B-LP109B WITH VENT	1
2	907297	TERMOSTATO SICUR. 110° PASTIGLIA	SAFETY THERMOSTAT 110° PADDLE	1
3	TR0347	RESIST. BOILER 14KW 230V +OR	BOILER HEATING ELEMENT 14KW 230V +OR	1
4	TR3572	SUPP. POMPA DOPPIO RISCIAQUO	PUMP SUPPORT PRE RINSE	1
5	902241	POMPA RISCIAQUO CRC-R DX	RINSE PUMP CRC-R RH	1
6	902390	ELETTROV. 1 VIA Ø10	1-WAY SOLENOID VALVE Ø10	1
7	907347	TUBO CARICO 90° 2000MM S 800 HW	WATER LOAD HOSE 90° 2000MM S 800 HW	1
8	908794	BREAK TANK BE 50	BREAK TANK BE 50	1
9	903325	GUARN. RACC. BREAK TANK	JUNCTION GASKET BREAK TANK	2
10	902082	GHIERA 1" 1/4 ASPIR./SCAR. RIBASSATA	FERRULE 1" 1/4 ASPIRATION/DRAIN	2
11	905275	PRESSOSTATO 35/90	PRESSURE SWITCH 35/90	1
12	907279	TUBO SILICONE 4X7	SILICONE HOSE 4X7	1
13	900026	COPERT. INOX PARASPRUZZI BREAK TANK	STAINLESS-STEEL COVERING SPLASHBACKS, BREAK TANK	1
14	900008	COPERT. INTERNA BREAK TANK PPH CAPOTE	INSIDE COVER FOR BREAK TANK PPH HOOD	1
15	902132	GHIERA FISSAGGIO PANNELLO SUPERIORE	FASTENING FERRULE, UPPER PANEL	4
16	TR2433	VALVOLA ANTIRITORNO	NON-RETURN VALVE	1



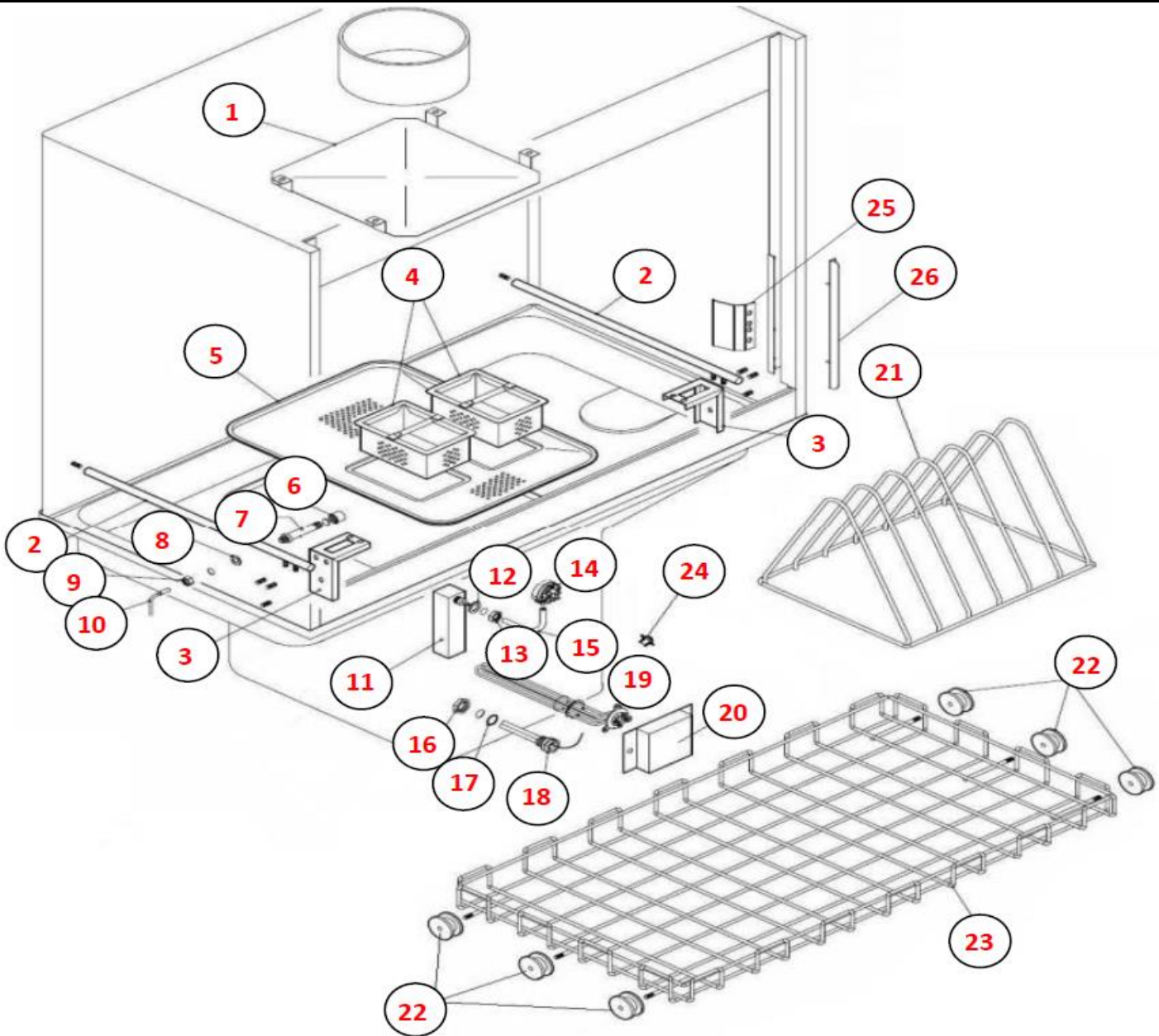


POS	CODE	DESCRIZIONE	DESCRIPTION	NR
1	TR0630	PIASTRA SUPP. POMPA PL-LAV-PR T-N	PUMP-SUPPORT PLATE PL-LAV-PR T-N	2
2	TR3374	SUPP. POMPA SX LPN	PUMP SUPPORT LH LPN	2
3	TR3373	SUPP. POMPA DX LPN	PUMP SUPPORT RH LPN	2
4	905017	ANTIVIBRANTE CILINDRICO 30X20	ANTI-VIBRATION CYLINDER 30X20	8
5	TR0080	POMPA 2KW 400/3/50 DX LPN109/T	PUMP 2KW 400/3/50 RH LPN109/RACK CONVEYOR	1
6	TR0079	POMPA 2KW 400/3/50 SX LPN109/T	PUMP 2KW 400/3/50 LH LPN109/RACK CONVEYOR	1
7	903701	MANICOTTO ASP. E1000/N1000/N1300/TRAINO	ASPIRATION SLEEVE E1000/N1000/N1300/RACK CONVEYOR	2
8	TR2309	MANICOTTO MANDATA LAV. TRAINO SERIE N	INLET SLEEVE WASH RACK CONVEYOR MODEL N	2
9	TR3687	COLONNA LAV. LPN109 SX	LH WASH COLUMN LPN109	1
10	TR3686	COLONNA LAV. LPN109 DX	RH WASH COLUMN LPN109	1
11	903381	GUARN. 85X85 COL. LAV.	GASKET 85X85 WASH COLUMN	2
12	903721	MANICOTTO MANDATA SUP. N19	UPPER INLET SLEEVE N19	2
13	TR3647	SUPP. BRACCIO LAV. LAT. LPN	SIDE-WASH-ARM SUPPORT LPN	2
14	TR3571	GUARN. FLANGIA BRACCIO LAT. LPN67/LPN109	GASKET FLANGW SIDE ARM LPN67/LPN109	2
15	TR2091	CONTROFL. FISS. TUBO LAV. T-N	FIXING COUNTERFLANGE FOR WASH HOSE T-N	2
16	TR3513	BRACCIO LAV. LAT. LPN67/LPN109	LATERAL WASH ARM LPN67/LPN109	2
17	TR2051	GUARN. TAPPO BRACCI LAV. T-N MOPLEN	GASKET WASH ARMS CAP - RACK/FLIGHT CONVEYOR MOPLEN	2
18	TR3230	TAPPO BRACCIO LAV. INOX T-N	CAP FOR STAINLESS-STEEL RINSE ARM T-N	2
19	TR0464	GUIDA TROPPOPIENO INOX T-N-LP	GUIDE OVERFLOW STAINLESS-STEEL T-N-LP	1
20	TR0939	TROPPO PIENO 450MM T INOX	STAINLESS-STEEL OVERFLOW CAP 450MM T	1
21	905450	RACC. SC. 1" 1/4	CONNECTION SC. 1" 1/4	1
22	904380	OR 1"1/4 RACC. ASPIR./SCAR.	OR 1"1/4 ASPIRATION/DRAIN JUNCTION	1
23	902080	GHIERA 1"1/4 ASPIR./SCAR.	FERRULE 1"1/4 ASPIRATION/DRAIN	1
24	TR0977	RACC. ASPIR. 90° INT. VASCA	RIGHT-ANGLE CONNECTION INSIEDE ASPIRATION TANK	1
25	TR0098	RACC. ASPIR. TRAINO - NASTRO - LP	ASPIRATION CONNECTION FLIGHT/RACK CONVEYOR LP	1
26	TR0115	OR RES. FLANG. 9/10/12/14 KW	OR FLANGE HEATING ELEMENT 9/10/12/14 KW	1

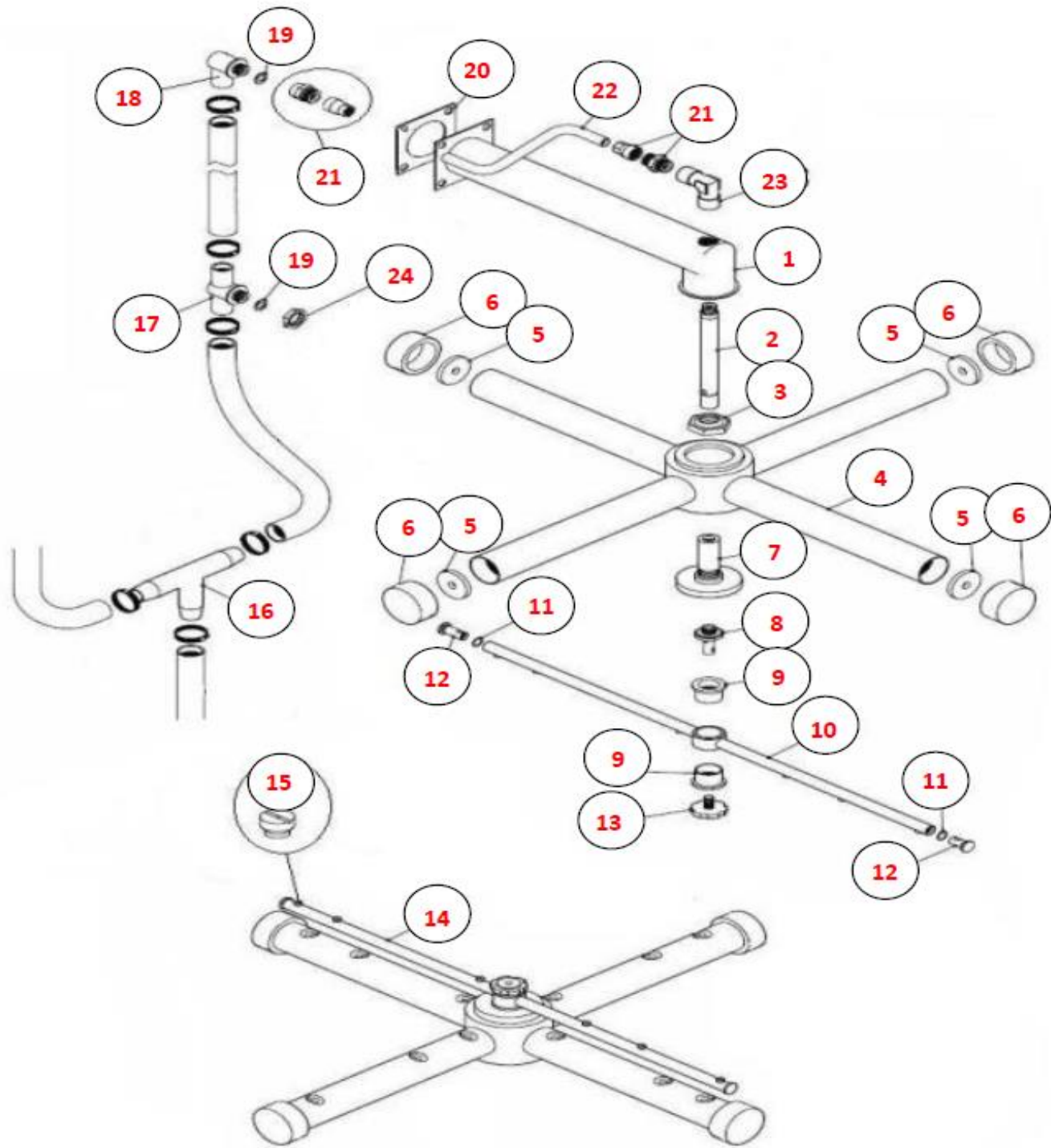




POS	CODE	DESCRIZIONE	DESCRIPTION	NR
1	TR0922	PARASPRUZZI SUP. LPN109	TOP SPLASHBACKS LPN109	1
2	TR3656	GUIDA PORTACESTELLO LPN109	GUIDE BASKET SUPPORT LPN109	2
3	955784	SUPP. GUIDA CESTELLI LPN	BASKET-GUIDE SUPPORT LPN	2
4	906704	FILTRO A CASSETTO N1000/N1300/LP57	DRAWER FILTER N1000/N1300/LP57	2
5	TR3602	FILTRO SUPERF. LP N109-TRAINO STAMPATA	SURFACE FILTER LP N109-RACK CONVEYOR	1
6	906453	TAPPO GIRANTE RISC. INOX	CAP FOR STAINLESS-STEEL RINSE ARM	1
7	TR0995	MICRO PORTA LPN67/LPN109	MICRO DOOR LPN67/LPN109	1
8	903410	GUARN. FIBRA ASTA RISC.	FIBRE RINSE SHAFT GASKET	1
9	902104	DADO OTTONE 3/8" NICHELATO	NICKEL-PLATED BRASS NUT 3/8"	1
10	TR0309	REED MAGNETICO T-N (INOX)	MAGNETIC REED T-N (STAINLESS STEEL)	1
11	TR0935	TRAPPOLA ARIA INOX 260MM LPN	AIR TRAP INOX 260MM LPN	1
12	903260	GUARN. 3/8" TR. ARIA	GASKET 3/8", AIR TRAP	1
13	902104	DADO OTTONE 3/8" NICHELATO	NICKEL-PLATED BRASS NUT 3/8"	1
14	905200	PRESSOSTATO 70/197	PRESSURE SWITCH 70/197	1
15	907279	TUBO SILICONE 4X7	SILICONE HOSE 4X7	1
16	902061	GHIERA MOPLEN 1/2" PORTABULBO	FERRULE MOPLEN 1/2", PROBE SUPPORT	1
17	903250	GUARN. 1/2" PORTABULBO	GASKET 1/2" PROBE SUPPORT	1
18	905192	PORTABULBO VASCA 1/2" RIBASSATO	TANK BULB HOLDER 1/2" LOWERED	1
19	905570	RESIST. BOILER 6KW 230V +OR	BOILER HEATING ELEMENT 6KW 230V +OR	1
20	TR1037	COPRIRESISTENZA INOX VASCA T-N	STAINLESS-STEEL POWER-ELEMENT COVER FOR TANK T-N	1
21	TR0926	PORTA TEGLIE TRIANGOLARE LP67/LP109	TRIANGLE-SHAPED TRAY TROLLEY LP67/LP109	6
22	TR3229	RUOTA CESTELLO LP67/LP109	BASKET WHEEL LP67/LP109	1
23	TR1126	CESTO LPN109	BASKET LPN109	1
24	907243	TERMOSTATO SICUR. 95° PASTIGLIA	SAFETY THERMOSTAT 95° PADDLE	1
25	908736	SQUAD. INVITO CESTO LPN67/LPN109	BASKET GUIDE BRACKET LPN67/LPN109	1
26	955785	SGOCCIOLATOIO LPN	SPASHBACKS LPN	1

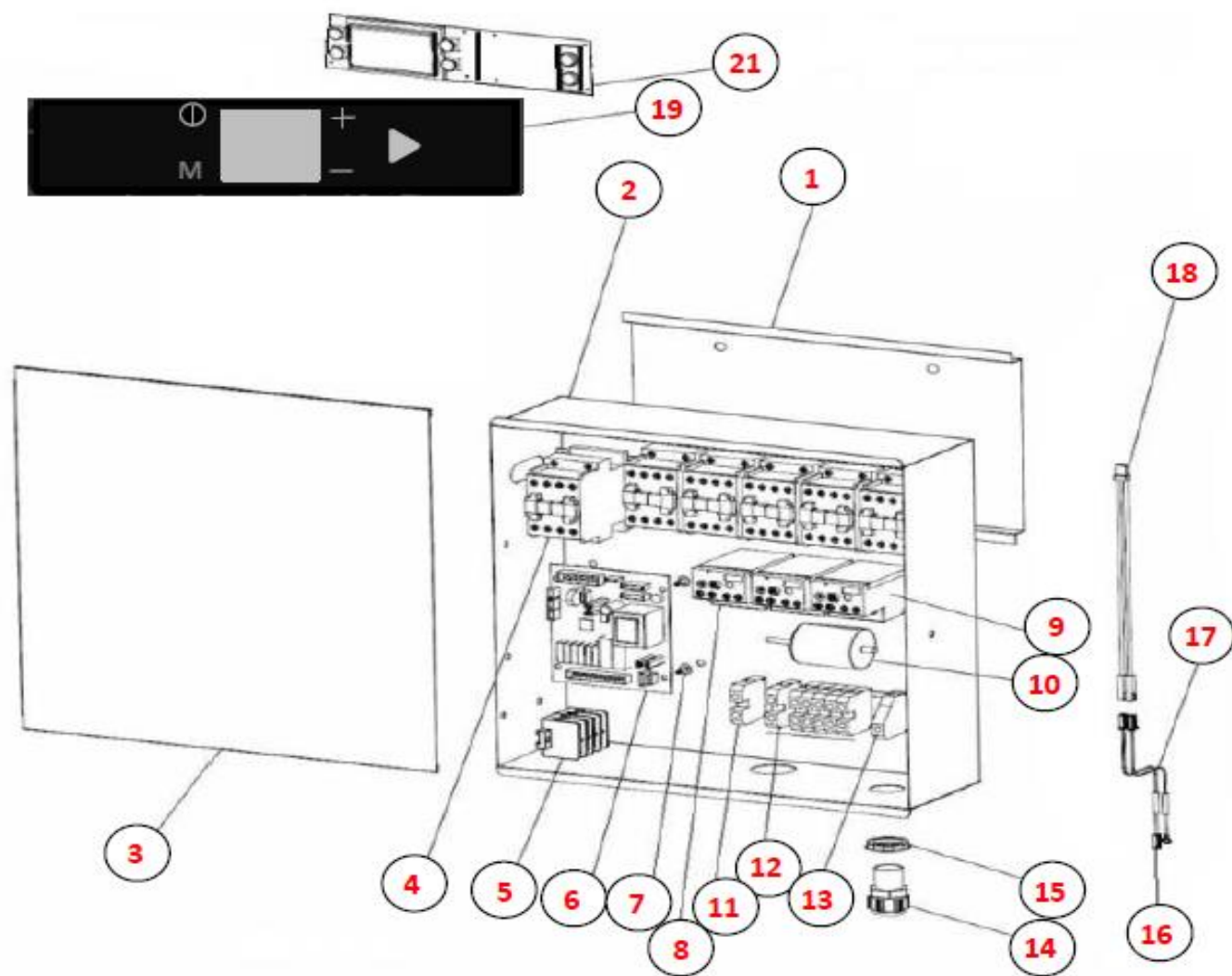


POS	CODE	DESCRIZIONE	DESCRIPTION	NR
1	908732	BRACCIO LAV. LPN67/LPN109	WASH ARM LPN67/LPN109	1
2	908735	PERNO LAV. LPN67/LPN109	PIVOT WASH LPN67/LPN109	1
3	902890	GHIERA MOPLEN MOZZO GIRANTE LAV. N1300	MOPLEN FERRULE HUB WASH ARM N1300	1
4	TR0994	GIRANTE LAV. SUP. INF. LPN109	UPPER/LOWER WASH ARM LPN109	1
5	903404	GUARN. BRACCI LAV. T-N INOX	STAINLESS-STEEL GASKET WASH ARMS RACK/FLIGHT CONVEYOR	4
6	TR3230	TAPPO BRACCIO LAV. INOX T-N	CAP FOR STAINLESS-STEEL RINSE ARM T-N	4
7	904281	MOZZO GIRANTE LAV. LP DELRIN	HUB WASH ARM LP DELRIN	1
8	904762	PERNO GIRANTE RISC. LPN	PIVOT RINSE ARM LPN	1
9	900530	BUSSOLA GIRANTE RISCIAQUO LP	RINSE ARM BEARING LP	1
10	TR0894	GIRANTE RISC. LP109	RINSE ARM LP109	1
11	904321	OR TAPPO GIRANTE RISC.	CAP OR RINSE ARM	2
12	906450	TAPPO GIRANTE LAV. R20/R23/R29	CAP FOR WASH ARM R20/R23/R29	2
13	902880	GHIERA FERMO GIRANTI	STOP FERRULE, ARMS	1
14	TR0902	GIRANTE RISC. LP109 COMPL.	RINSE ARM LP109 COMPL.	1
15	TR0002	GETTO RISC. OVK TRAINO LT.280	JET RINSE OVK RACK CONVEYOR LT.280	6
16	905382	RACC. 3 VIE RISCIAQUO	THREE-WAY CONNECTION RINSE	1
17	905407	RACC. RISC. LP/LPN	RINSE CONNECTION LP/LPN	1
18	907933	RACC. RISC. POST. LP67/LP109	BACK-RINSE CONNECTION LP67/LP109	1
19	904330	OR 3/8" RISC. FREDDO/SUPP. MOZZO	OR 3/8" COLD RINSE/HUB SUPPORT	2
20	903381	GUARN. 85X85 COL. LAV.	GASKET 85X85 WASH COLUMN	1
21	908121	RACC. TUBO RISC.+ OGIVA E1000/N1000	CONNECTION RINSE HOSE.+ OGIVE E1000/N1000	2
22	908888	TUBO FORAFLOX 10X8	FORAFLOX HOSE 10X8	1
23	908120	RACC. GOMITO 1/4" LPN	ELBOW CONNECTION 1/4" LPN	1
24	902104	DADO OTTONE 3/8" NICHELATO	NICKEL-PLATED BRASS NUT 3/8"	1



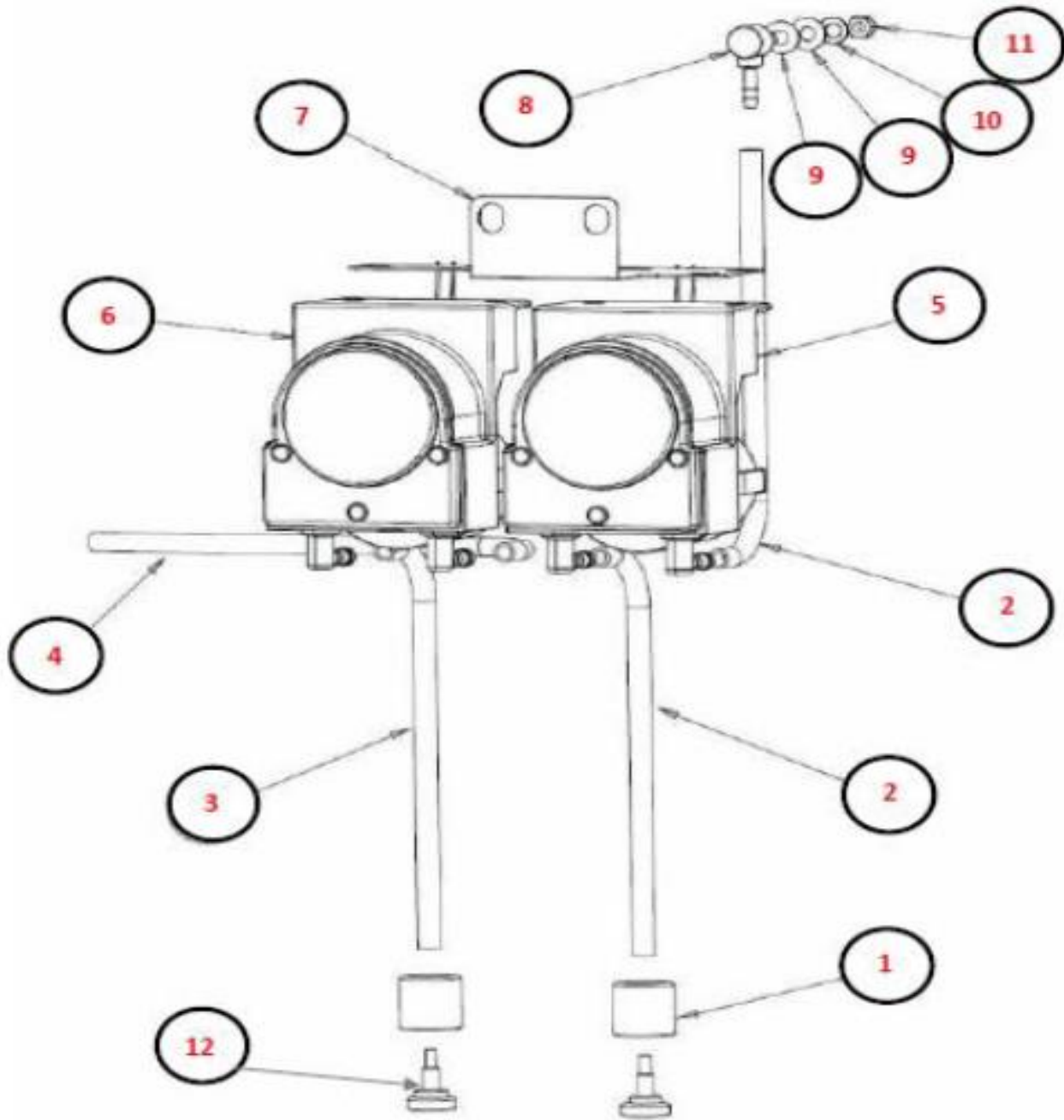
POS	CODE	DESCRIZIONE	DESCRIPTION	NR
1	TR3372	SLITTA PER CASSETTA ELETTRICA LP STAMP.	SLIDE PLATE FOR ELECTRIC BOX LP MOULDED	0
2	TR3658	CASSETTA ELETT. LPN109	ELECTRIC BOX LPN109	1
3	TR3667	COPERCHIO CASS. ELETTR. LPN109	ELECTRIC BOX TOP PANEL LPN109	1
4	TR0322	TELERUTTORE 9A 230V 4 CONTATTI	CONTACTOR 9A 230V 4 CONTACTS	6
5	904167	MORSETTO QUADRIPOLORE CON SPALLA	4-POLE CLAMP WITH BRACKET	1
6	907398	SCHEDA EVO2/3 BASE ELCA 12 RELE	BASE BOARD EVO2/3 12 RELAY	1
7	909366	DISTANZIALE SCHEDA FRONTALE H=10MM	FRONT BOARD SPACER H=10MM	4
8	TR0386	TERMICA 1/1.6 A LOVATO	THERMIC SWITCH 1/1.6 A LOVATO	1
9	TR0400	TERMICA 4/6 A	THERMIC SWITCH 4/6 A	4
10	902107	FILTRO ANTIDISTURBO TRIFASE	THREE-PHASED ANTINOISE FILTER	1
11	904163	MORSETTO 1P 16MM TERRA	CLAMP 1P 16MM EARTH	1
12	904166	MORSETTO 1P 16MM	CLAMP 1P 16MM	1
13	TR0344	FLANGIA CHIUSURA MORSETTO	FLANGE CLOSING CLAMP	1
14	TR0136	PRESSACAVO PG21	CABLE GLAD PG21	1
15	TR0138	GHIERA PRESSACAVO PG21	FERRULE CAGLE GLAND PG21	1
16	900541	SONDA NTC A BULBO EVO2/3 ELCA	BULB PROBE NTC EVO2/3 ELCA	1
17	900543	SONDA NTC AD OCCHIELLO EVO 2/3 ELCA	PROBE EYE NTC EVO2/3 ELCA	1
18	905432	CAVO TELEFONTINO SCHEDA EVO2/3 ELCA L=1500MM	PHONE CABLE FOR PLATE EVO2/3 ELCA L=1500MM	1
19	900519	TARGA EVO2 LCD NEUTRA	PLATE EVO2 LCD NEUTRAL	1
20	907316	SCHEDA EVO2 FRONTALE ELCA 12 RELE	FRONT BOARD EVO2 12 RELAY	1



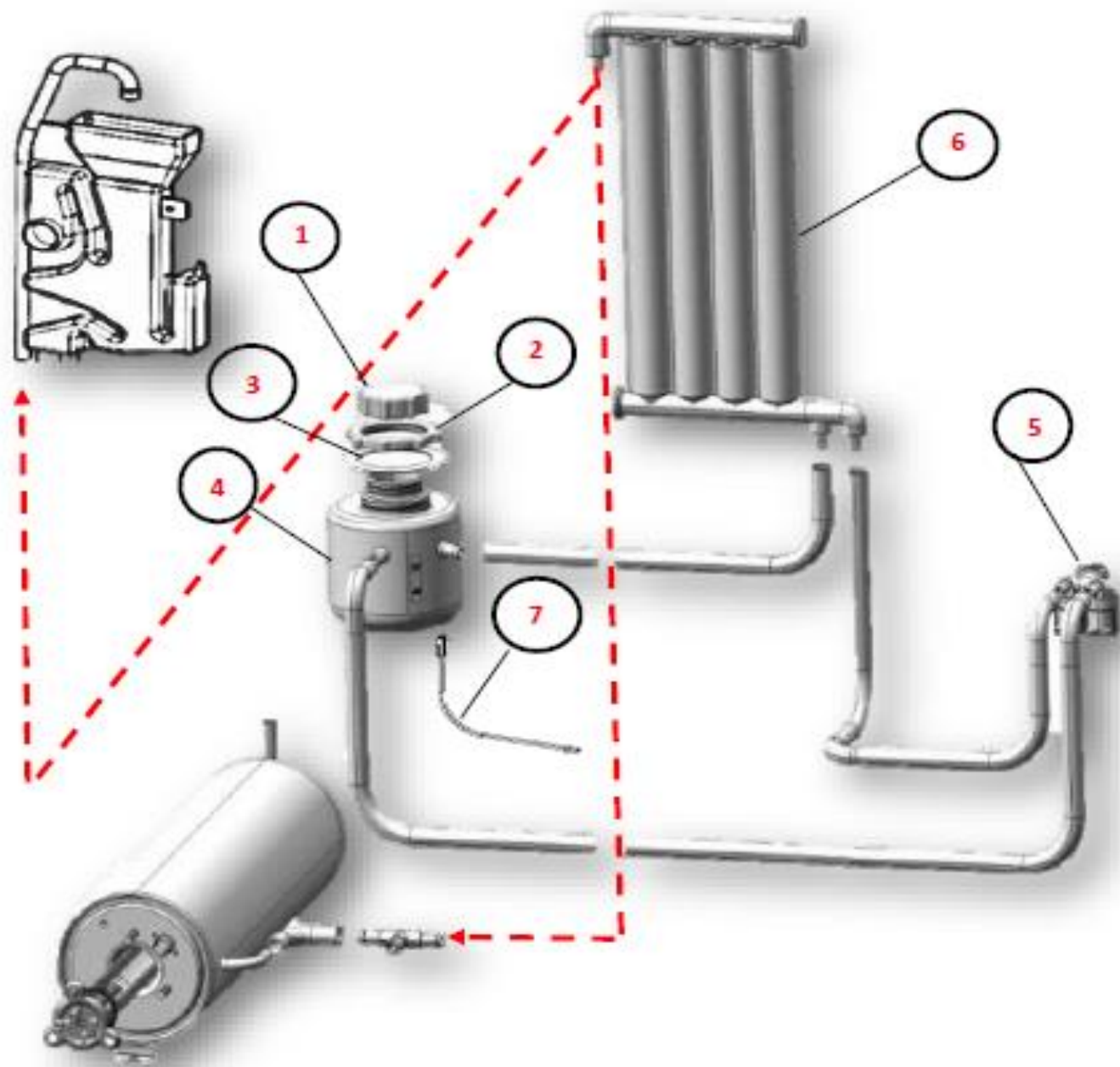




POS	CODE	DESCRIZIONE	DESCRIPTION	NR
1	906620	PESO TUBETTO DET./BRILL.	WEIGHT RINSE PRODUCT/ETERGENT HOSE	2
2	907278	TUBO CRYSTAL ROSSO 4X7	TRASPARENT-RED HOSE 4X7	2
3	902046	TUBO CRYSTAL TRASP. 4X7	TRASPARENT HOSE 4X7	1
4	907279	TUBO SILICONE 4X7	SILICONE HOSE 4X7	1
5	902053	DOSATORE DETERS. PERIST. SEKO SENZA REG.	PERISTALTIC DETERGENT PUMP WITHOUT REGULATOR	1
6	902095	DOSATORE BRILL. PERIST. SEKO SENZA REG.	PERISTALTIC RINSE-PRODUCT PUMP WITHOUT REGULATOR	1
7	952820	SUPP. DOS. PERISTALTICO DOPPIO	DOUBLE PERISTALTIC DOSING PUMP SUPPORT	1
8	906708	RACC. INOX ENTR. DETERSIVO VASCA ANT.	STAINLESS-STEEL FRONT INLET CONNECTION FOR DETERGENT IN TANK	1
9	903253	GUARN. RACC. DOS/SFIATO PS	GASKET DOSING UNIT/AIR VENT JUNCTION	1
10	906010	RONDELLA Ø5 P.	WASHER Ø5 P.	1
11	902030	DADO ATB 5	NUT ATB 5	1
12	902569	FILTRO DOSATORE	DOSING UNIT FILTER	2



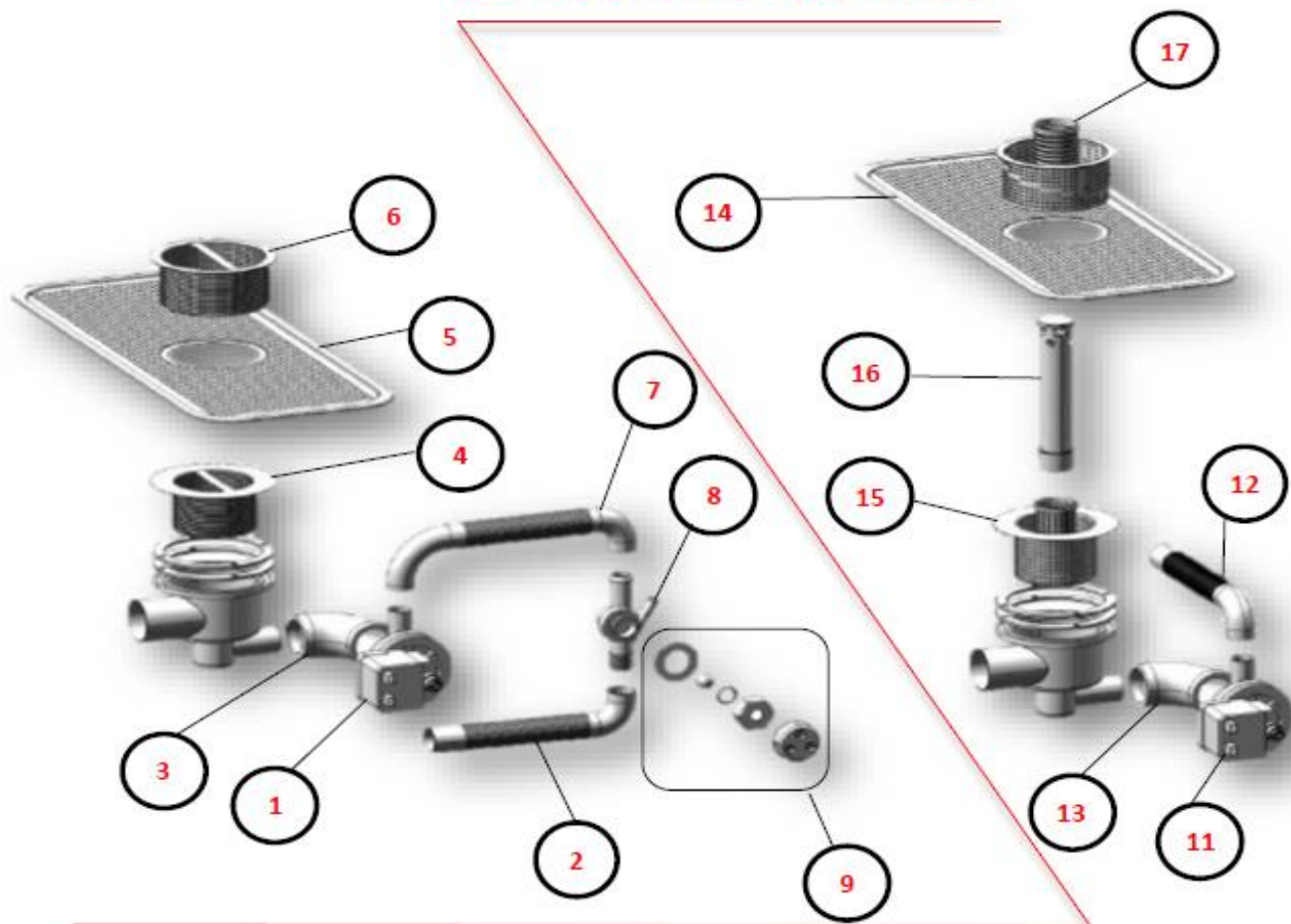




POS	CODE	DESCRIZIONE	DESCRIPTION	NR
1	902330	POMPA SCARICO MAGNETICA 402X	MAGNETIC DRAIN PUMP 402X	1
2	907439	TUBO SCARICO Ø19 90° 2000MM PS + CURVA	DRAIN HOSE Ø19 90° 2000MM PS + BLEND	1
3	903691	MANICOTTO POMPA SCARICO N45-N50	DRAIN PUMP SLEEVE N45-N50	1
4	904897	FILTRO SENZA CILINDRO INOX Ø75MM	FILTER WITHOUT STAINLESS-STEEL BARREL Ø75MM	1
5	906669	FILTRO SUPERF. N45-N50 COMPLETO 2013	SURFACE FILTER N45-N50 COMPLETE 2013	1
6	904898	FILTRO SENZA CILINDRO INOX Ø98MM	FILTER WITHOUT STAINLESS-STEEL BARREL Ø98MM	1
7	907445	TUBO SCARICO Ø19 90° 760MM PS	DRAIN HOSE Ø19 90° 760MM PS	1
8	907473	VALVOLA TOP 40 COMPLETA	VALVE TOP 40 COMPLETE	1
9	TR2433	VALVOLA ANTIRITORNO	NON-RETURN VALVE	1
11	902330	POMPA SCARICO MAGNETICA 402X	MAGNETIC DRAIN PUMP 402X	1
12	907439	TUBO SCARICO Ø19 90° 2000MM PS + CURVA	DRAIN HOSE Ø19 90° 2000MM PS + BLEND	1
13	903691	MANICOTTO POMPA SCARICO N45-N50	DRAIN PUMP SLEEVE N45-N50	1
14	906669	FILTRO SUPERF. N45-N50 COMPLETO 2013	SURFACE FILTER N45-N50 COMPLETE 2013	1
15	906624	FILTRO CON CILINDRO INOX H80MM Ø75MM	FILTER WITH STAINLESS-STEEL BARREL H80MM Ø75MM	1
16	907311	TROPPO PIENO 217MM N45/N50/N90 PS MOPLEN T.N.	OVERFLOW CAP 217MM N45/N50/N90 PS MOPLEN T.N.	1
17	904469	FILTRO CON CILINDRO INOX H80MM Ø98MM	FILTER WITH STAINLESS-STEEL BARREL H80MM Ø98MM	1

---

## Normal drain



## Automatic drain